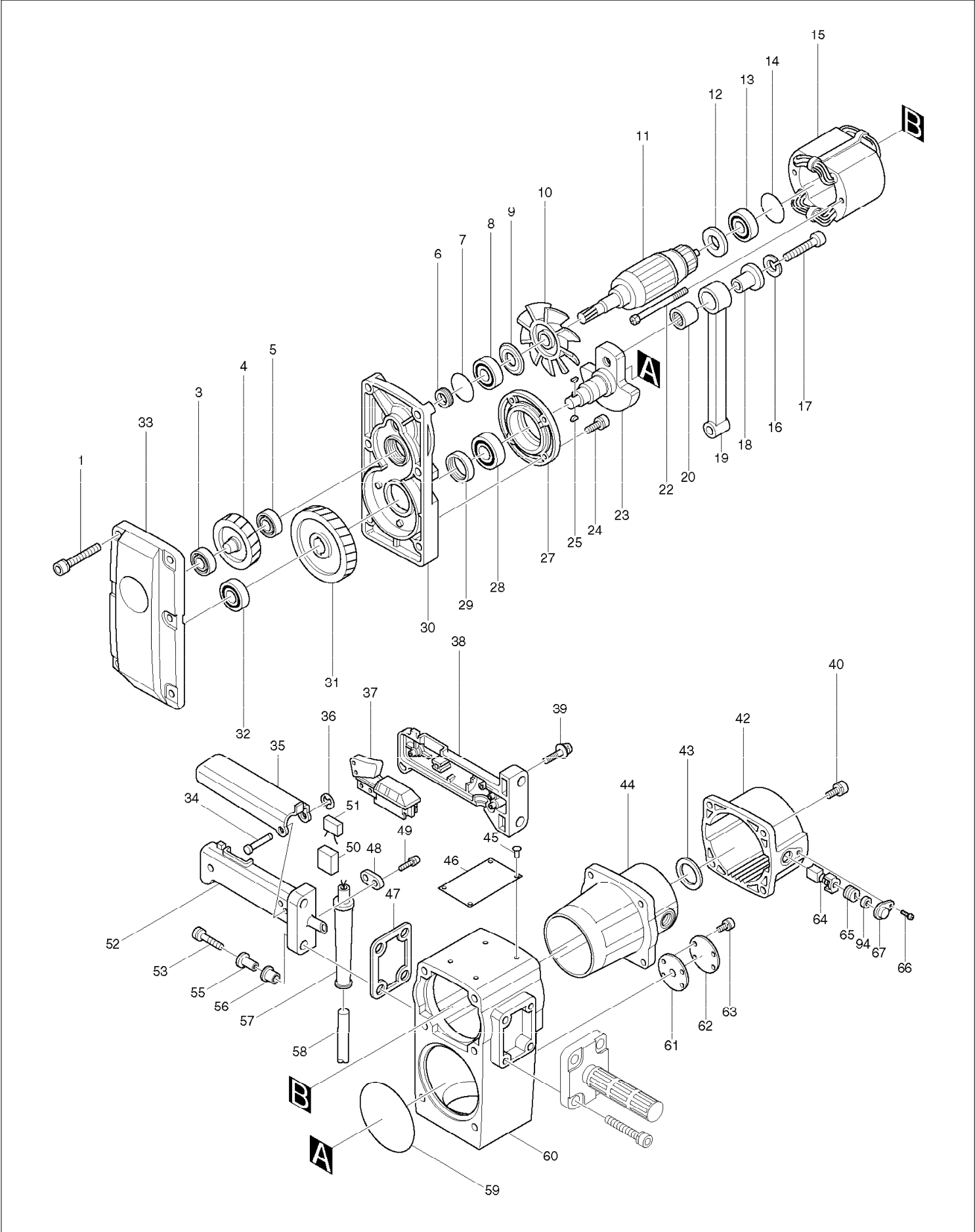


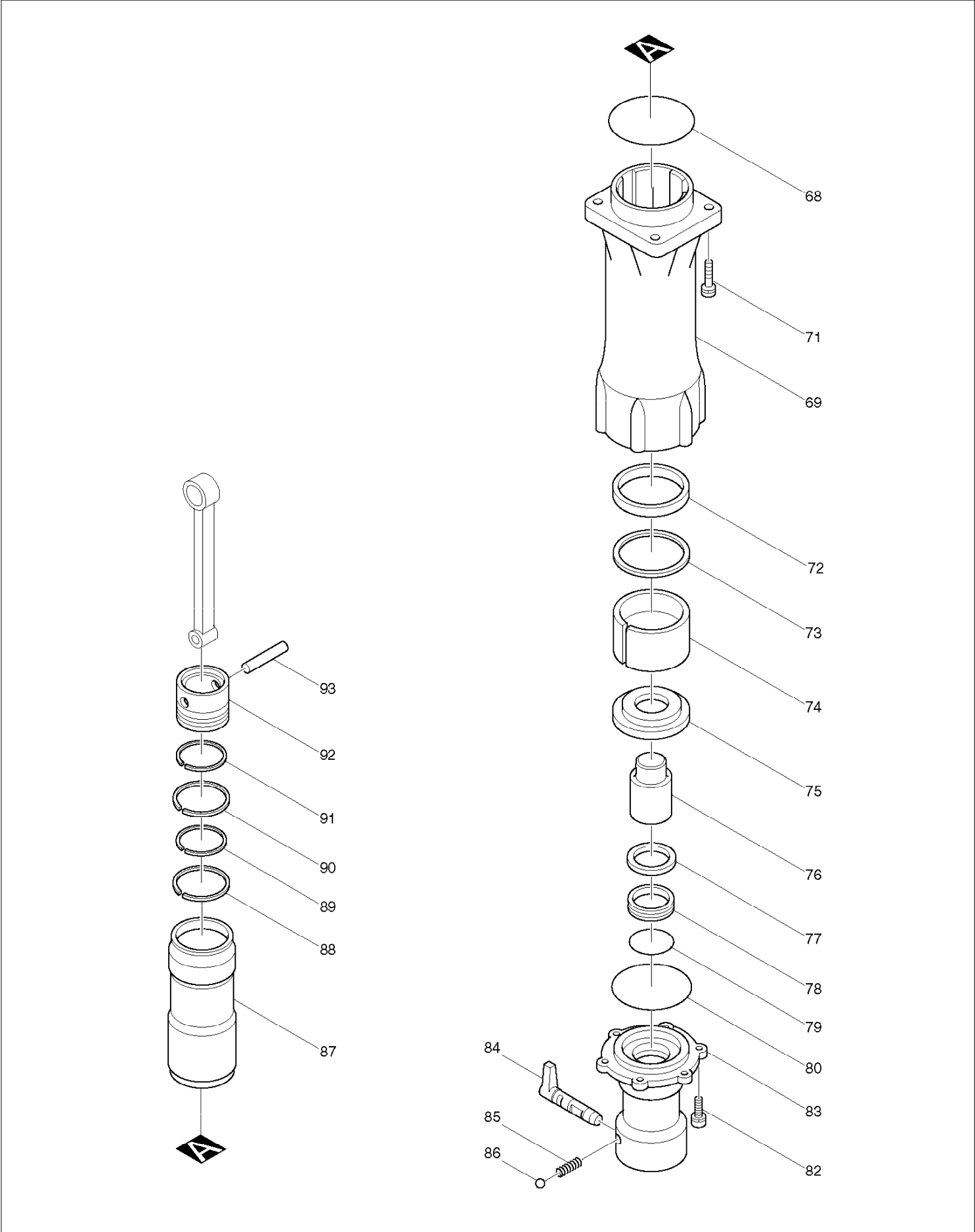
# SERVICE DRAWING

MODEL NO. HM1400



# SERVICE DRAWING

MODEL NO. HM1400



# SPARE PARTS LIST

MODEL NO. HM1400

| ITEM | PART NO. | DESCRIPTION                  | QTY | NOTE |
|------|----------|------------------------------|-----|------|
| 001  | 922471-0 | HEX. SOCKET HEAD BOLT M8X50  | 6   |      |
| 003  | 211109-5 | BALL BEARING 6201            | 1   |      |
| 004  | 221713-2 | HELICAL GEAR 36              | 1   |      |
| 005  | 211109-5 | BALL BEARING 6201            | 1   |      |
| 006  | 331212-7 | SEAL                         | 1   |      |
| 007  | 213460-9 | O RING 35                    | 1   |      |
| 008  | 211206-7 | BALL BEARING 6202LLB         | 1   |      |
| 009  | 213202-1 | DUST SEAL 15                 | 1   |      |
| 010  | 241648-1 | FAN 104                      | 1   |      |
| 011  | 514843-9 | ARMATURE ASS'Y 220V          | 1   |      |
|      |          | INC. 8-13                    |     |      |
| 012  | 681635-2 | INSULATION WASHER            | 1   |      |
| 013  | 211066-7 | BALL BEARING 6200LLB         | 1   |      |
| 014  | 213406-5 | O RING 30                    | 1   |      |
| 015  | 524793-0 | FIELD ASS'Y 220V             | 1   |      |
| 016  | 942301-9 | SPRING WASHER 12             | 1   |      |
| 017  | 922667-3 | HEX. SOCKET HEAD BOLT M12X45 | 1   |      |
| 018  | 321560-2 | CRANK SLEEVE                 | 1   |      |
| 019  | 321557-1 | CONNECTING ROD               | 1   |      |
| 020  | 212307-4 | NEEDLE BEARING 1820          | 1   |      |
| 022  | 265343-9 | + HEX. BOLT M5X80            | 2   |      |
| 023  | 321556-3 | CRANK SHAFT                  | 1   |      |
| 024  | 266009-4 | HEX. SOCKET HEAD BOLT M8X18  | 4   |      |
| 025  | 254001-2 | WOODRUFF KEY 4               | 2   |      |
| 027  | 315525-4 | BEARING BOX                  | 1   |      |
| 028  | 211359-2 | BALL BEARING 6205            | 1   |      |
| 029  | 213354-8 | OIL SEAL 25                  | 1   |      |
| 030  | 157648-0 | GEAR HOUSING                 | 1   |      |
|      |          | INC. 7                       |     |      |
| 031  | 221714-0 | HELICAL GEAR 53              | 1   |      |
| 032  | 211214-8 | BALL BEARING 6302            | 1   |      |
| 033  | 315908-8 | GEAR HOUSING COVER           | 1   |      |
| 034  | 323147-6 | SWITCH LEVER PIN             | 1   |      |
| 035  | 342531-6 | SWITCH LEVER                 | 1   |      |
| 036  | 961011-9 | STOP RING E-4                | 1   |      |
| 037  | 651131-4 | SWITCH C3D-15MS              | 1   |      |
| 038  | 181906-2 | HANDLE SET                   | 1   |      |
|      |          | INC. 52                      |     |      |
| 039  | 911253-5 | PAN HEAD SCREW M5X30         | 3   |      |
| 040  | 922356-0 | HEX. SOCKET HEAD BOLT M6X35  | 4   |      |
| 042  | 316385-7 | REAR CASE                    | 1   |      |
| 043  | 253751-6 | FLAT WASHER 24               | 1   |      |
| 044  | 159420-6 | MOTOR HOUSING                | 1   |      |
| 045  | 953106-2 | RIVET 0-5                    | 4   |      |
| 046  | 855573-6 | NAME PLATE HM1400            | 1   |      |
| 047  | 423137-0 | PACKING                      | 1   |      |
| 048  | 687031-2 | STRAIN RELIEF                | 1   |      |
| 049  | 911133-5 | PAN HEAD SCREW M4X18         | 2   |      |
| 050  | 685725-3 | SPONGE SHEET                 | 1   |      |
| 051  | 645105-5 | NOISE SUPPRESSOR             | 1   |      |
| 052  | 181906-2 | HANDLE SET                   | 1   |      |
|      |          | INC. 38                      |     |      |
| 053  | 922461-3 | HEX. SOCKET HEAD BOLT M8X40  | 4   |      |
| 055  | 321956-7 | HANDLE SLEEVE                | 4   |      |
| 056  | 421308-3 | SLEEVE                       | 4   |      |
| 057  | 682540-6 | CORD GUARD 9.3-90            | 1   |      |
| 058  | 665883-1 | POWER SUPPLY CORD 1.0-2-5.0  | 1   |      |
| 059  | 213855-6 | O RING 95                    | 1   |      |
| 060  | 157773-7 | CRANK HOUSING                | 1   |      |
| 061  | 442009-0 | PACKING 50                   | 1   |      |
| 062  | 341397-1 | PLATE 50                     | 1   |      |

# SPARE PARTS LIST

MODEL NO. HM1400

| ITEM | PART NO. | DESCRIPTION                 | QTY | NOTE |
|------|----------|-----------------------------|-----|------|
| 063  | 911211-1 | PAN HEAD SCREW M5X12        | 4   |      |
| 064  | 181048-2 | A.C. CARBON BRUSH CB-155    | 1   |      |
| 065  | 643650-4 | BRUSH HOLDER CAP 6.5-13.5   | 2   |      |
| 066  | 911216-1 | PAN HEAD SCREW M5X14        | 2   |      |
| 067  | 343891-9 | HOLDER CAP PLATE            | 2   |      |
| 068  | 213755-0 | O RING 75                   | 1   |      |
| 069  | 315524-6 | CYLINDER                    | 1   |      |
| 071  | 922461-3 | HEX. SOCKET HEAD BOLT M8X40 | 4   |      |
| 072  | 262034-3 | NYLON RING 63               | 1   |      |
| 073  | 253861-9 | FLAT WASHER 63              | 1   |      |
| 074  | 331299-9 | IDLER                       | 1   |      |
| 075  | 322208-9 | RING HOLDER                 | 1   |      |
| 076  | 321563-6 | IMPACT BOLT                 | 1   |      |
| 077  | 262039-3 | NYLON RING 42               | 1   |      |
| 078  | 213517-6 | X RING 40                   | 1   |      |
| 079  | 213504-5 | O RING 40                   | 1   |      |
| 080  | 213754-2 | O RING 71                   | 1   |      |
| 082  | 266010-9 | HEX. SOCKET HEAD BOLT M8X30 | 6   |      |
| 083  | 321961-4 | TOOL HOLDER                 | 1   |      |
| 084  | 321788-2 | TOOL RETAINER               | 1   |      |
| 085  | 231032-8 | COMPRESSION SPRING 5        | 1   |      |
| 086  | 216004-4 | STEEL BALL 7.9              | 1   |      |
| 087  | 322059-0 | HAMMER                      | 1   |      |
| 088  | 412055-7 | PISTON RING 50              | 1   |      |
| 089  | 341993-5 | INNER RING                  | 1   |      |
| 090  | 412055-7 | PISTON RING 50              | 1   |      |
| 091  | 341993-5 | INNER RING                  | 1   |      |
| 092  | 321562-8 | PISTON                      | 1   |      |
| 093  | 256128-4 | PIN 10                      | 1   |      |
| 094  | 262003-4 | RUBBER RING 6               | 2   |      |
| 400  | 273423-7 | GRIP 40                     | 1   |      |
| 402  | 922451-6 | HEX. SOCKET HEAD BOLT M8X30 | 4   |      |
| 404  | 783204-6 | HEX. WRENCH 6               | 1   |      |
| 405  | 798029-5 | BULL POINT 30-410           | 1   |      |