



| | | | | | | |
|----|---------------|--|---|-----|---|---|
| 1 | 1 605 108 264 | | 1 | -,- | 1 | - |
| 2 | 1 604 220 429 | | 1 | -,- | 1 | - |
| 6 | 1 600 703 036 | | 1 | -,- | 1 | - |
| 7 | 1 601 302 018 | | 1 | -,- | 1 | - |
| 9 | 1 601 118 N46 | | 1 | -,- | 1 | - |
| 13 | 1 600 905 034 | | 1 | -,- | 1 | - |
| 14 | 1 600 905 035 | | 1 | -,- | 1 | - |
| 23 | 1 605 500 266 | | 1 | -,- | 1 | - |
| 24 | 1 605 132 155 | | 1 | -,- | 1 | - |
| 25 | 1 603 523 113 | | 1 | -,- | 1 | - |
| 28 | 1 600 210 033 | | 1 | -,- | 1 | - |
| 29 | 1 600 210 045 | | 1 | -,- | 1 | - |
| 30 | 1 600 591 041 | | 1 | -,- | 1 | - |
| 31 | 1 600 591 042 | | 1 | -,- | 1 | - |
| 32 | 1 600 290 019 | | 1 | -,- | 1 | - |
| 33 | 1 600 290 064 | | 1 | -,- | 1 | - |
| 34 | 1 600 190 020 | | 1 | -,- | 1 | - |
| 34 | 1 600 190 021 | | 1 | -,- | 1 | - |
| 34 | 1 600 190 022 | | 1 | -,- | 1 | - |
| 34 | 1 600 190 037 | | 1 | -,- | 1 | - |
| 34 | 1 600 190 038 | | 1 | -,- | 1 | - |
| 34 | 1 600 190 039 | | 1 | -,- | 1 | - |
| 34 | 1 600 190 040 | | 1 | -,- | 1 | - |

| | | | | | | |
|-----|---------------|------|---|-----|---|---|
| 35 | 1 600 205 034 | | 1 | -,- | 1 | - |
| 37 | 1 600 290 036 | | 1 | -,- | 1 | - |
| 38 | 1 600 206 037 | | 1 | -,- | 1 | - |
| 43 | 1 605 500 264 | | 1 | -,- | 1 | - |
| 44 | 1 605 500 265 | | 1 | -,- | 1 | - |
| 45 | 1 603 300 019 | | 1 | -,- | 1 | - |
| 50 | 1 607 001 007 | | 1 | -,- | 1 | - |
| 51 | 1 600 200 031 | | 1 | -,- | 1 | - |
| 60 | 1 603 435 023 | | 1 | -,- | 4 | - |
| 61 | 1 603 490 005 | TORX | 1 | -,- | 6 | - |
| 63 | 1 603 410 014 | | 1 | -,- | 1 | - |
| 64 | 2 603 490 021 | TORX | 1 | -,- | 4 | - |
| 65 | 2 603 490 023 | TORX | 1 | -,- | 2 | - |
| 66 | 2 910 211 019 | | 1 | -,- | 1 | - |
| 68 | 1 601 006 011 | | 1 | -,- | 1 | - |
| 75 | 1 600 290 060 | | 1 | -,- | 1 | - |
| 76 | 1 603 414 025 | | 1 | -,- | 4 | - |
| 81 | 1 600 190 048 | | 1 | -,- | 1 | - |
| 131 | 1 601 118 N47 | | 1 | -,- | 1 | - |
| 651 | 1 605 510 398 | | 2 | -,- | 1 | - |
| 660 | 1 602 025 051 | | 2 | -,- | 1 | - |
| 803 | 1 604 011 297 | | 1 | -,- | 1 | - |
| 804 | 1 607 000 C15 | | 1 | -,- | 1 | - |
| 805 | 1 607 000 227 | | 1 | -,- | 1 | - |
| 808 | 1 601 106 940 | | 1 | -,- | 1 | - |
| 810 | 1 607 014 171 | | 1 | -,- | 1 | - |
| 810 | 1 607 000 480 | | 1 | -,- | 1 | - |
| 816 | 1 604 336 053 | | 1 | -,- | 2 | - |
| 821 | 1 607 000 C17 | | 1 | -,- | 1 | - |
| 822 | 1 607 000 C24 | | 1 | -,- | 1 | - |
| 826 | 1 607 000 429 | | 1 | -,- | 1 | - |
| 835 | 1 606 610 150 | | 1 | -,- | 1 | - |
| 840 | 1 607 000 431 | | 1 | -,- | 1 | - |
| 846 | 1 607 000 432 | | 1 | -,- | 1 | - |
| 848 | 1 600 119 010 | | 1 | -,- | 1 | - |
| 850 | 1 600 905 026 | | 1 | -,- | 1 | - |
| 851 | 2 600 910 001 | | 1 | -,- | 1 | - |
| 880 | 1 607 233 552 | | 1 | -,- | 1 | - |
| 890 | 1 600 210 039 | | 2 | -,- | 1 | - |

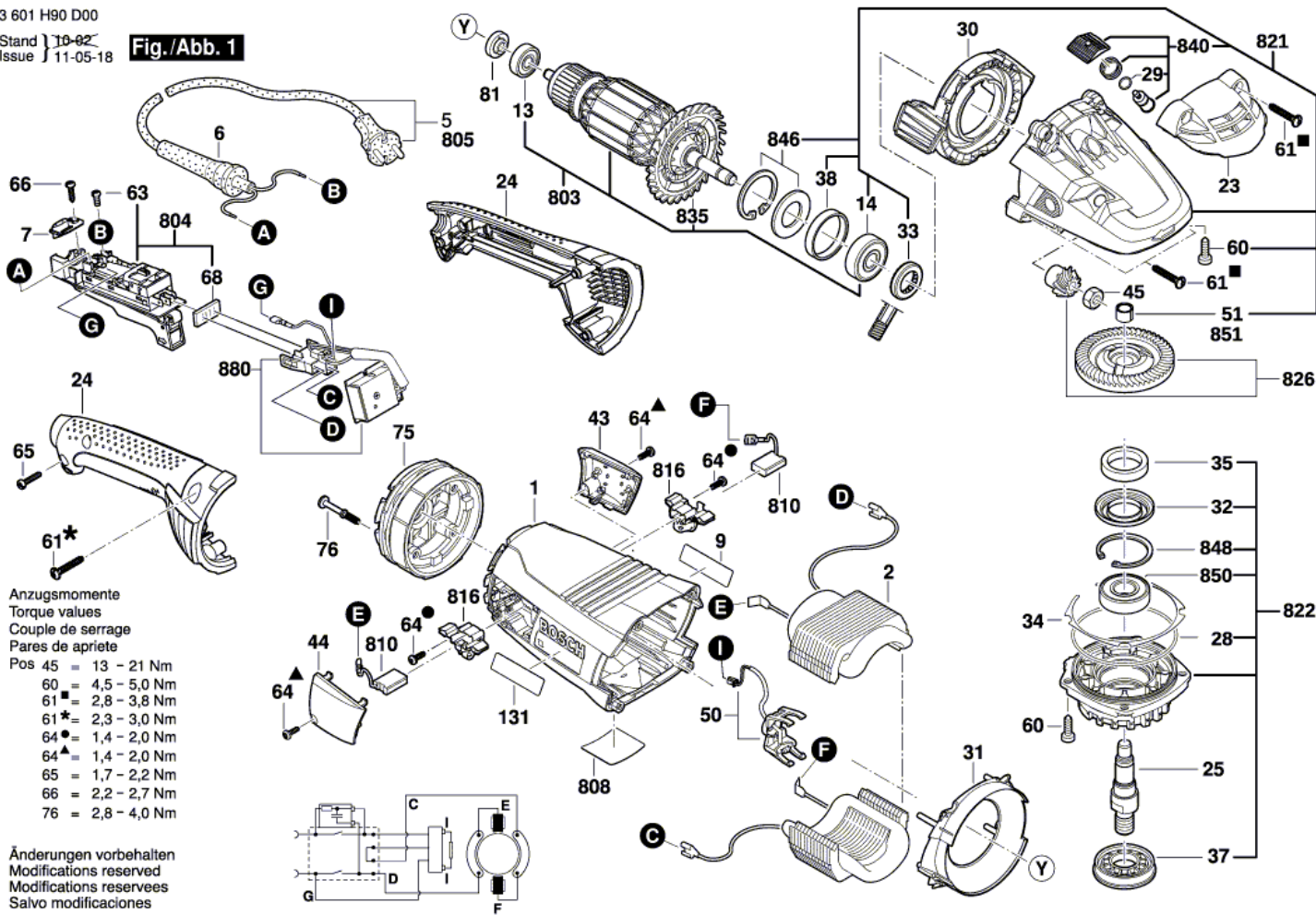
| 891 | 1 602 025 022 | | 2 | -,- | 1 | - |
|-----|---------------|--|---|-----|---|---|
| 892 | 1 607 950 061 | | 2 | -,- | 1 | - |
| 893 | 2 605 703 014 | | 2 | -,- | 1 | - |
| 894 | 1 603 345 043 | | 2 | -,- | 1 | - |
| 896 | 1 603 340 027 | | 2 | -,- | 1 | - |

| | |
|--------------------|----------------|
| | 3 601 H91 C00 |
| | 251.828; |
| DIN | |
| ID_Text_Ext | 0 |
| - | GWS 22-230 LVI |
| _1 | 230 V |
| ID_Country_Product | EU |

- E

3 601 H90 D00
 Stand } 10-02
 Issue } 11-05-18

Fig./Abb. 1



- Anzugsmomente
 Torque values
 Couple de serrage
 Pares de apriete
- Pos 45 = 13 - 21 Nm
 60 = 4,5 - 5,0 Nm
 61 = 2,8 - 3,8 Nm
 61* = 2,3 - 3,0 Nm
 64 = 1,4 - 2,0 Nm
 64* = 1,4 - 2,0 Nm
 65 = 1,7 - 2,2 Nm
 66 = 2,2 - 2,7 Nm
 76 = 2,8 - 4,0 Nm

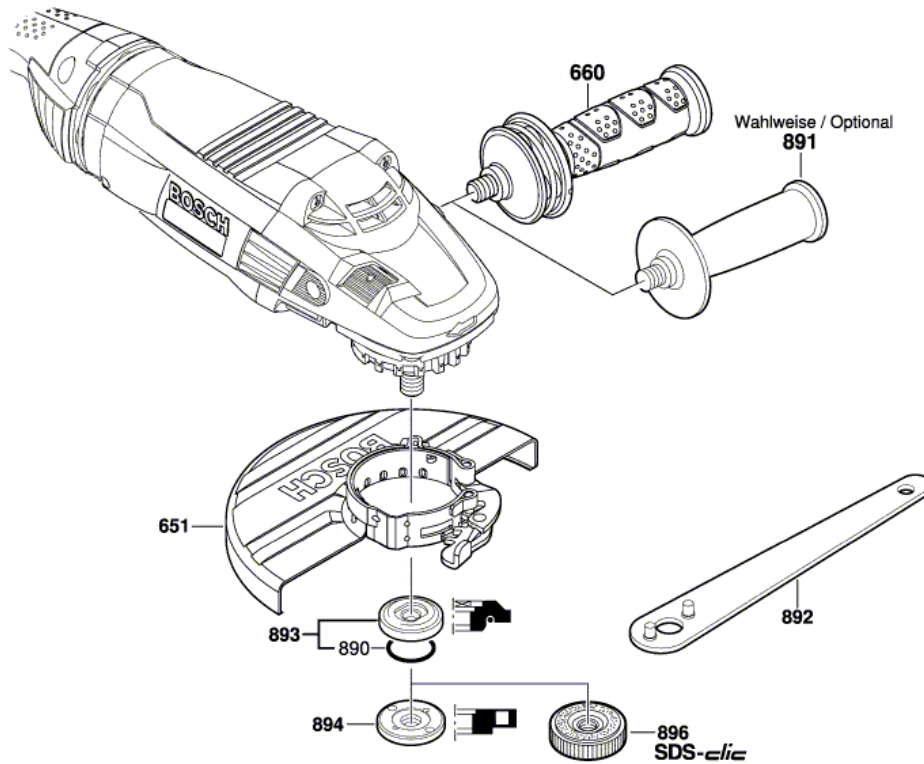
Änderungen vorbehalten
 Modifications reserved
 Modifications reserves
 Salvo modificaciones

- E

3 601 H90 D00

Stand } 08-05-28
Issue }

Fig. /Abb. 2



Änderungen vorbehalten
Modifications reserved
Modificaciones reservadas
Salvo modificaciones