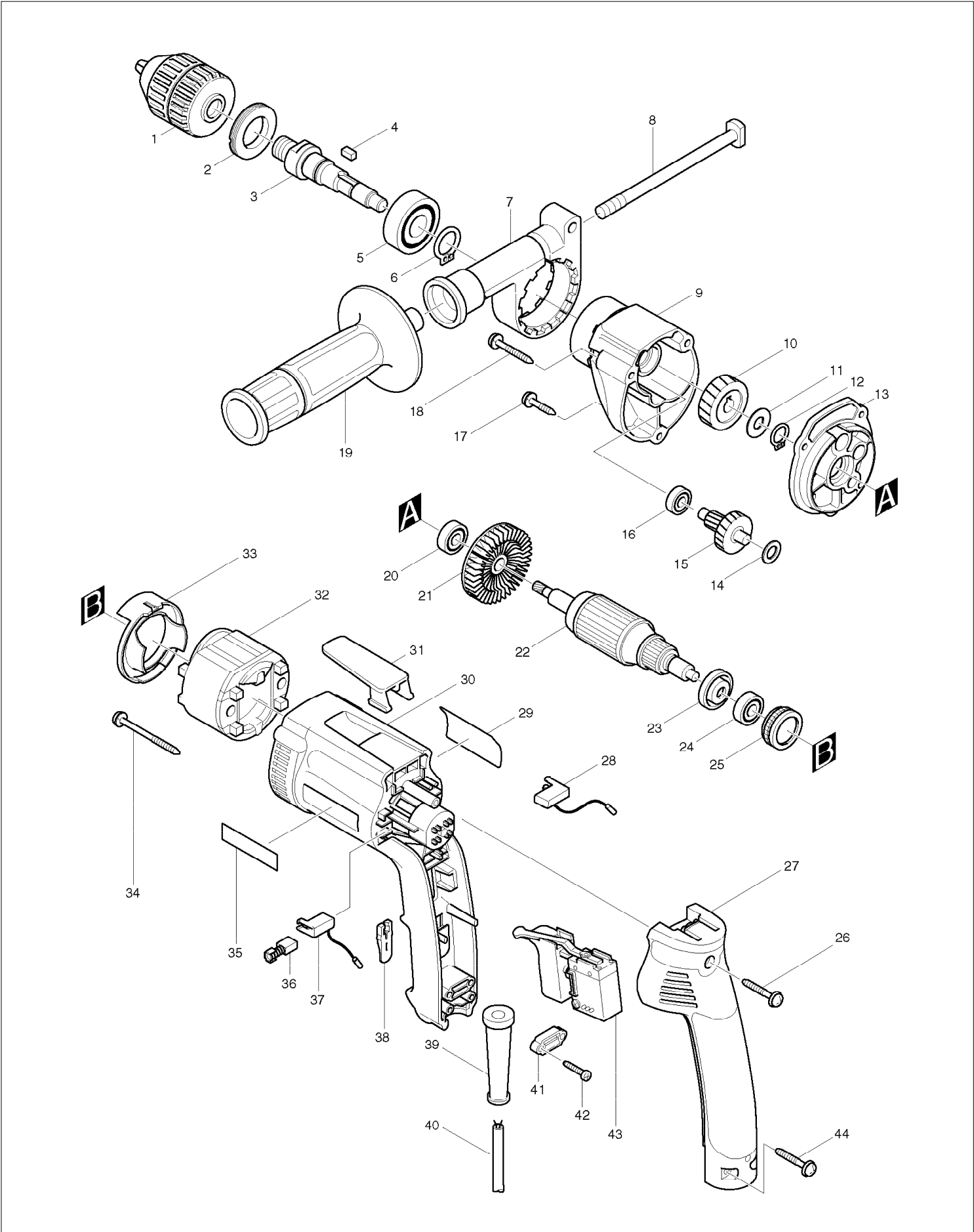


SERVICE DRAWING

MODEL NO. DP3003



SPARE PARTS LIST

MODEL NO. DP3003

ITEM	PART NO.	DESCRIPTION	QTY	NOTE
001	193226-2	KEYLESS DRILL CHUCK 10	1	
002	285807-7	BEARING RETAINER 22-36	1	
003	324040-7	SPINDLE	1	
004	254202-2	KEY 4	1	
005	211206-7	BALL BEARING 6202LLB	1	
006	961055-9	RETAINING RING S-15	1	
007	317401-8	GRIP BASE	1	
008	266261-4	BOLT M8X130	1	
009	317398-1	GEAR HOUSING	1	
010	226530-5	HELICAL GEAR 32	1	
011	253180-3	FLAT WASHER 10	1	
012	961006-2	RETAINING RING S-10	1	
013	152640-1	GEAR HOUSING COVER COMPLETE	1	
014	267217-0	FLAT WASHER 6	1	
015	226140-8	GEAR COMPLETE 7-34	1	
016	211016-2	BALL BEARING 626LLB	1	
017	266050-7	TAPPING SCREW 4X30	1	
018	266069-6	TAPPING SCREW 4X45	2	
019	152521-9	GRIP 36 COMPLETE	1	
020	211031-6	BALL BEARING 608LLB	1	
021	241873-4	FAN 55	1	
022	517363-2	ARMATURE ASS'Y 220-240V INC. 20,21,23,24	1	
023	681636-0	INSULATION WASHER	1	
024	211021-9	BALL BEARING 607LLB	1	
025	421479-6	RUBBER RING 19	1	
026	265999-8	TAPPING SCREW 4X25	1	
027	152641-9	HANDLE COVER COMPLETE	1	
028	643953-6	BRUSH HOLDER	1	
029	852497-7	NAME PLATE DP3003	1	
030	183270-7	MOTOR HOUSING SET INC. 35	1	
031	417625-7	HOOK	1	
032	633473-8	FIELD 220-240V	1	
033	417357-6	BAFFLE PLATE	1	
034	266052-3	TAPPING SCREW 4X60	2	
035	819063-3	MAKITA LABEL	1	
036	191962-4	CARBON BRUSH CB-419	1	
037	643952-8	BRUSH HOLDER	1	
038	417358-4	SLIDE LEVER	1	
039	682559-5	CORD GUARD 8	1	
040	666066-6	POWER SUPPLY CORD 1.0-2-2.5	1	
041	687063-9	STRAIN RELIEF	1	
042	265995-6	TAPPING SCREW 4X18	2	
043	651991-4	SWITCH C3MA-2L-L	1	
044	265999-8	TAPPING SCREW 4X25	2	
045	442135-5	GASKET	1	
B01	134903-7	GRIP 36 ASS'Y INC. 7,8,19	1	
E01	824595-7	PLASTIC CARRYING CASE	1	
E02	645200-1	NOISE SUPPRESSOR	1	
E03	646343-2	LINE COIL	1	