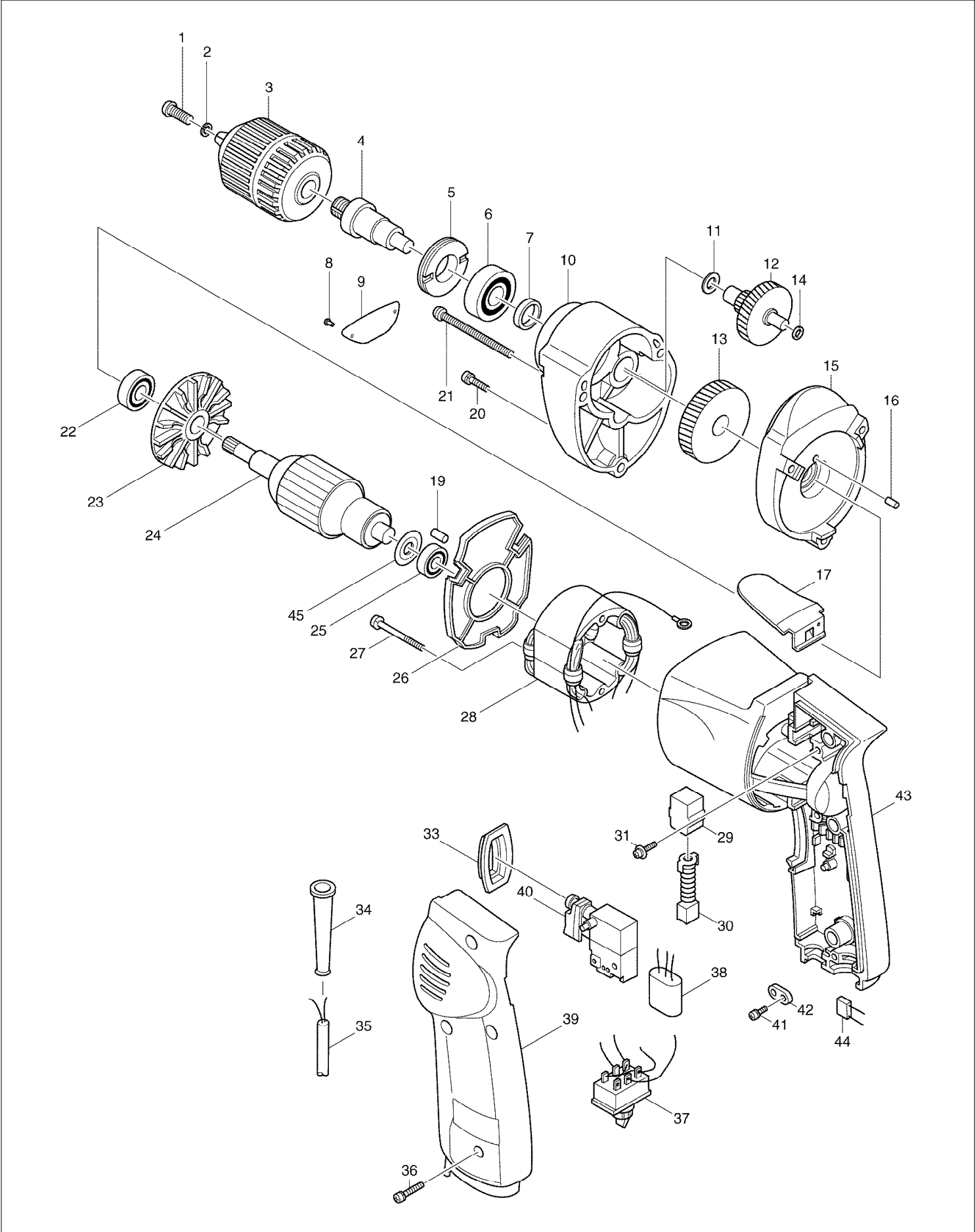


SERVICE DRAWING

MODEL NO. 6510LVR



SPARE PARTS LIST

MODEL NO. 6510LVR

ITEM	PART NO.	DESCRIPTION	QTY	NOTE
001	251448-1	- PAN HEAD SCREW M5X18	1	
003	763132-1	KEYLESS DRILL CHUCK 10	1	
004	323685-8	SPINDLE	1	
005	285804-3	BEARING RETAINER 19-34	1	
006	211201-7	BALL BEARING 6002LLB	1	
007	257053-2	RING 15	1	
009	815390-6	NAME PLATE 6510LVR	1	
010	156401-1	GEAR HOUSING	1	
011	253139-0	FLAT WASHER 8	1	
012	226032-1	GEAR COMPLETE 13-40	1	
013	221624-1	HELICAL GEAR 53	1	
014	253077-6	FLAT WASHER 6	1	
015	157996-7	GEAR HOUSING COVER INC. 16	1	
016	263002-9	RUBBER PIN 4	1	
017	343693-3	HOOK	1	
019	263002-9	RUBBER PIN 4	1	
020	911168-6	PAN HEAD SCREW M4X40	1	
021	911188-0	PAN HEAD SCREW M4X60	2	
022	211033-2	BALL BEARING 608LB	1	
023	241802-7	FAN 58	1	
024	518804-1	ARMATURE ASS'Y 220V INC. 22,23,25,45	1	
025	211028-5	BALL BEARING 627LB	1	
026	414292-9	BAFFLE PLATE	1	
027	911571-1	PAN HEAD SCREW M4X45	2	
028	628656-3	FIELD 220V	1	
029	643552-4	BRUSH HOLDER 5-8	2	
030	191627-8	CARBON BRUSH CB-64	1	
031	911124-6	PAN HEAD SCREW M4X14	2	
033	411852-8	SWITCH COVER	1	
034	682502-4	CORD GUARD 8-85	1	
035	666066-6	POWER SUPPLY CORD 1.0-2-2.5	1	
036	911153-9	PAN HEAD SCREW M4X28	3	
037	651478-6	SWITCH VTX11	1	
038	645253-0	NOISE SUPPRESSOR	1	
039	154970-6	HANDLE COVER COMPLETE	1	
040	650226-0	SWITCH TG823AB-2	1	
041	911133-5	PAN HEAD SCREW M4X18	2	
042	687001-1	STRAIN RELIEF	1	
043	188104-9	MOTOR HOUSING SET INC. 19	1	
045	681617-4	INSULATION WASHER	1	
903	646047-6	CHOKE COIL	1	
904	819063-3	MAKITA LABEL	1	
909	646048-4	CHOKE COIL	1	