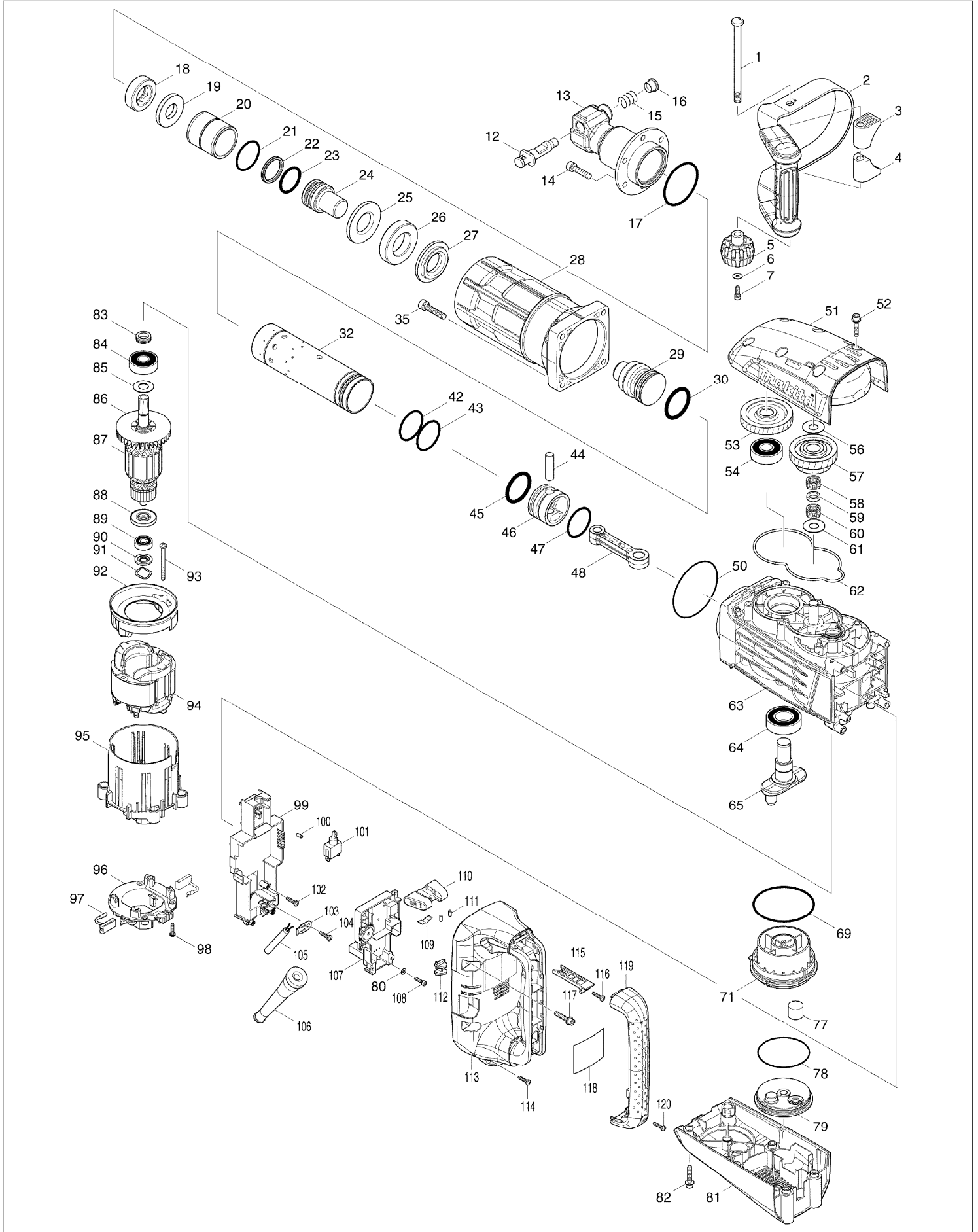


SERVICE DRAWING

MODEL NO. HM1307C



SPARE PARTS LIST

MODEL NO. HM1307C

ITEM	PART NO.	DESCRIPTION	QTY	NOTE
001	266512-5	SET BOLT M10X142	1	
002	163506-0	SIDE HANDLE	1	
003	451331-4	HANDLE BASE	1	
004	451331-4	HANDLE BASE	1	
005	252654-1	THUMB NUT M10	1	
006	253194-2	FLAT WASHER 5	1	
007	922221-3	HEX. SOCKET HEAD BOLT M5X16	1	
012	324099-4	TOOL RETAINER	1	
013	331866-0	TOOL HOLDER	1	
014	266011-7	HEX. SOCKET HEAD BOLT M8X35	6	
015	233309-7	COMPRESSION SPRING 17	1	
016	324135-6	RETAINER SLEEVE	1	
017	213720-9	O RING 67	1	
018	262150-1	URETHAN RING	1	
019	267401-7	FLAT WASHER 24	1	
020	257782-7	SLEEVE 43	1	
021	213569-7	O RING 45	1	
022	213192-8	X-RING 36	1	
023	213150-4	O-RING 36	1	
024	325682-0	IMPACT BOLT	1	
025	325683-8	WASHER 30	1	
026	424206-0	RUBBER RING 36	1	
027	325684-6	SHOULDER RING 32	1	
028	318458-2	BARREL	1	
029	325685-4	STRIKER	1	
030	213193-6	O-RING 42	1	
032	331870-9	CYLINDER 52	1	
035	265367-5	HEX. SOCKET HEAD BOLT M8X40	4	
042	213569-7	O RING 45	1	
043	213569-7	O RING 45	1	
044	256238-7	PIN 12	1	
045	213193-6	O-RING 42	1	
046	318459-0	PISTON	1	
047	213569-7	O RING 45	1	
048	451164-7	CONNECTING ROD	1	
050	213806-9	O RING 90	1	
051	318462-1	GEAR COVER	1	
052	266499-1	H.S HEAD BOLT M6X30 WITH GM	6	
053	227709-1	HELICAL GEAR 47	1	
054	211306-3	BALL BEARING 6204LLB	1	
056	267166-1	FLAT WASHER 14	1	
057	226156-3	GEAR COMPLETE 31-43	1	
058	212159-3	NEEDLE CAGE 1412	1	
059	262157-7	NYLON RING 14	1	
060	212159-3	NEEDLE CAGE 1412	1	
061	267166-1	FLAT WASHER 14	1	
062	424207-8	SEAL RING	1	
063	140060-1	CRANK HOUSING COMPLETE	1	
064	211373-8	BALL BEARING 6205LLU	1	
065	331871-7	CRANK SHAFT	1	
069	213809-3	O RING 87	1	
071	451170-2	CRANK CAP	1	
077	443127-7	FILTER	1	
078	213758-4	O RING 74	1	
079	451166-3	CRANK CAP COVER	1	
080	*****	*****	***	*****
081	451171-0	REAR COVER	1	
082	266499-1	H.S HEAD BOLT M6X30 WITH GM	6	
083	331855-5	SEALING SCREW	1	
084	211249-9	BALL BEARING 6302LLU	1	
085	267397-2	FLAT WASHER 15	1	

SPARE PARTS LIST

MODEL NO. HM1307C

ITEM	PART NO.	DESCRIPTION	QTY	NOTE
086	240003-4	FAN 80	1	
087	517788-0	ARMATURE ASSEMBLY 220-240V INC. 84-86,88,89	1	
088	681642-5	INSULATION WASHER	1	
089	210059-1	BALL BEARING 6000DDW	1	
090	451107-9	WASHER GUIDE	1	
091	267809-5	WAVE WASHER 19	1	
092	451111-8	BAFFLE PLATE	1	
093	266044-2	TAPPING SCREW 5X60	2	
094	636333-3	FIELD 220-240V	1	
095	451117-6	MOTOR HOUSING	1	
096	638447-4	BRUSH HOLDER UNIT	1	
097	194412-8	CARBON BRUSH CB-171	1	
098	265995-6	TAPPING SCREW 4X18	4	
099	*****	*****	***	*****
100	263027-3	RUBBER PIN 4	1	
101	651423-1	SWITCH	1	
102	265995-6	TAPPING SCREW 4X18	2	
103	687169-3	STRAIN RELIEF	1	
104	265995-6	TAPPING SCREW 4X18	1	
105	695123-3	POWER SUPPLY CORD 1.5-2-4.0	1	
106	682560-0	CORD GUARD 10	1	
107	*****	*****	***	*****
108	265490-6	HEX. SOCKET HEAD BOLT M4X16	2	
109	232209-8	LEAF SPRING	1	
110	451112-6	SLIDE LEVER	1	
111	263027-3	RUBBER PIN 4	2	
112	451105-3	LENS	1	
113	451118-4	HANDLE	1	
114	265995-6	TAPPING SCREW 4X18	1	
115	451106-1	SWITCH LEVER	1	
116	265995-6	TAPPING SCREW 4X18	1	
117	266499-1	H.S HEAD BOLT M6X30 WITH GM	4	
118	867304-1	HM1307C NAME PLATE	1	
119	451119-2	HANDLE COVER	1	
120	265995-6	TAPPING SCREW 4X18	2	
121	442180-0	BOTH SIDE ADHESIVE TAPE	1	
122	126094-8	CONTROLLER ASSEMBLY INC. 99,102,107,121	1	
A01	*****	*****	***	*****
A02	824898-9	PLASTIC CARRYING CASE	1	
A03	809556-8	HM1307C PLASTIC CASE LABEL	2	