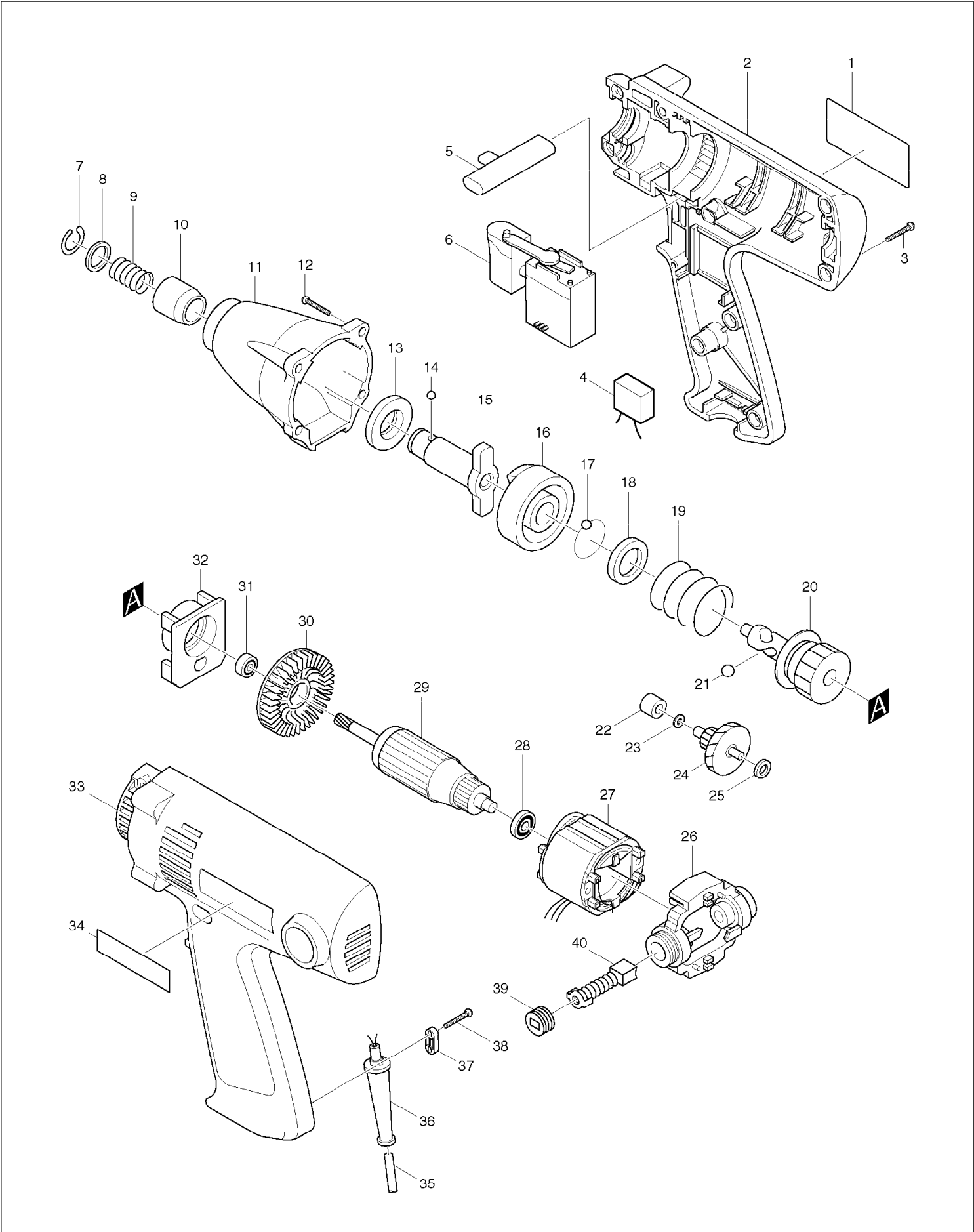


SERVICE DRAWING

MODEL NO. 6951



SPARE PARTS LIST

MODEL NO. 6951

ITEM	PART NO.	DESCRIPTION	QTY	NOTE
001	859465-1	NAME PLATE 6951	1	
002	182995-0	HOUSING SET INC. 33,34	1	
003	265995-6	TAPPING SCREW 4X18	9	
005	416522-4	CHANGE LEVER	1	
006	651965-5	SWITCH C3MA	1	
007	231951-8	RING SPRING 11	1	
008	267085-1	FLAT WASHER 12	1	
009	233005-7	COMPRESSION SPRING 13	1	
010	324420-7	SLEEVE	1	
011	152583-7	HAMMER CASE COMPLETE	1	
012	265995-6	TAPPING SCREW 4X18	4	
013	261099-2	NYLON WASHER 14	1	
014	216001-0	STEEL BALL 3.5	2	
015	324267-9	ANVIL M	1	
016	322793-2	HAMMER	1	
017	216001-0	STEEL BALL 3.5	24	
018	267126-3	FLAT WASHER 22	1	
019	233111-8	COMPRESSION SPRING 24	1	
020	153230-3	SPINDLE COMPLETE	1	
021	216011-7	STEEL BALL 5.6	2	
022	214034-9	PLANE BEARING 5	1	
023	253811-4	FLAT WASHER 5	1	
024	226815-9	GEAR COMPLETE 9-34	1	
025	267099-0	FLAT WASHER 4	1	
026	152582-9	HOLDER ARM COMPLETE	1	
027	639700-1	FIELD 220V	1	
028	211023-5	BALL BEARING 607LB	1	
029	517528-6	ARMATURE ASS'Y 220V INC. 28,30,31	1	
030	240014-9	FAN 40	1	
031	210005-4	BALL BEARING 608DDW	1	
032	152465-3	BEARING CASE COMPLETE	1	
033	182995-0	HOUSING SET INC. 2,34	1	
034	819063-3	MAKITA LABEL	1	
035	665865-3	POWER SUPPLY CORD 1.0-2-2.5	1	
036	682516-3	CORD GUARD 9.3-85	1	
037	687052-4	STRAIN RELIEF	1	
038	265995-6	TAPPING SCREW 4X18	2	
039	643928-5	BRUSH HOLDER CAP	2	
040	191940-4	CARBON BRUSH CB-411	1	
A01	824439-1	PLASTIC CARRYING CASE	1	
E01	645105-5	NOISE SUPPRESSOR	1	
E02	645253-0	NOISE SUPPRESSOR	1	
E03	646049-2	CHOKE COIL	1	
E04	646050-7	CHOKE COIL	1	
E06	654509-0	CONNECTOR 2-SD	2	