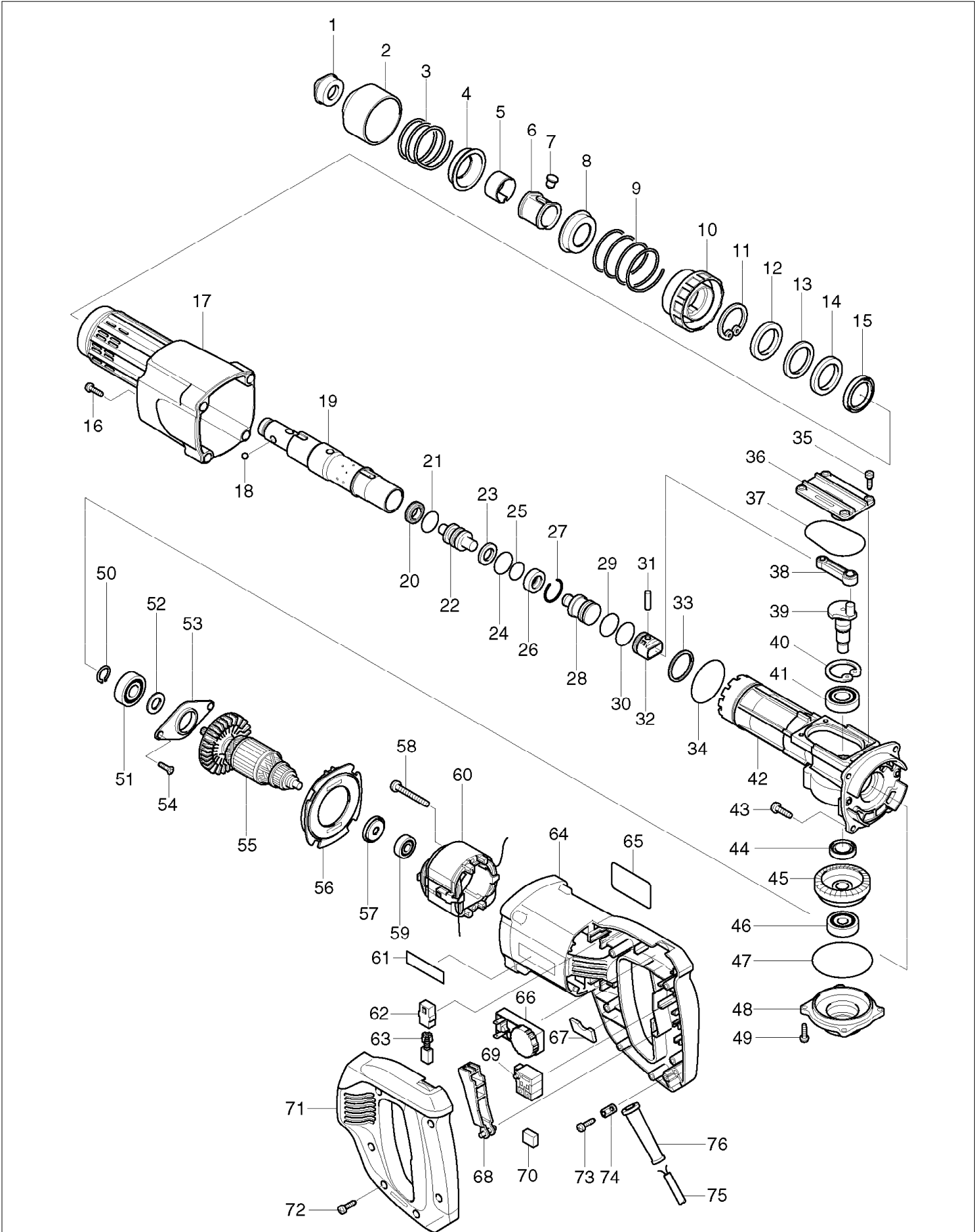


# SERVICE DRAWING

MODEL NO. HK0500



# SPARE PARTS LIST

MODEL NO. HK0500

ITEM	PART NO.	DESCRIPTION	QTY	NOTE
001	286265-0	CAP 31	1	
002	416729-2	CHUCK COVER	1	
003	233203-3	COMPRESSION SPRING 38	1	
004	344691-0	SPRING GUIDE	1	
005	232192-9	LEAF SPRING 26	1	
006	323724-4	CHUCK RING	1	
007	256447-8	PIN 8	1	
008	344691-0	SPRING GUIDE	1	
009	233238-4	COMPRESSION SPRING 38	1	
010	416733-1	CHANGE RING	1	
011	962156-6	RETAINING RING R-38	1	
012	257218-6	RING 27	1	
013	261113-4	URETHANE WASHER 28	1	
014	257218-6	RING 27	1	
015	213433-2	OIL SEAL 30	1	
016	265995-6	TAPPING SCREW 4X18	2	
017	416734-9	CRANK HOUSING COVER	1	
018	216022-2	STEEL BALL 7.0	1	
019	324063-5	TOOL HOLDER	1	
020	213173-2	X RING 13	1	
021	213214-4	O RING 16	1	
022	324012-2	IMPACT BOLT	1	
023	267192-0	FLAT WASHER 13	1	
024	213175-8	O RING 14	1	
025	213117-2	O RING 11	1	
026	323846-0	O RING CASE	1	
027	231987-7	RING SPRING 21	1	
028	323848-6	STRIKER	1	
029	213227-5	O RING 16	1	
030	213227-5	O RING 16	1	
031	256123-4	PIN 5	1	
032	416726-8	PISTON	1	
033	267129-7	FLAT WASHER 27	1	
034	213560-5	O RING 44	1	
035	266034-5	TAPPING SCREW CT 4X16	4	
036	416732-3	CRANK CAP	1	
037	213656-2	O RING 53	1	
038	416727-6	ROD	1	
039	323826-6	CRANK SHAFT	1	
040	962151-6	RETAINING RING R-32	1	
041	211232-6	BALL BEARING 6002LLU	1	
042	151543-6	CRANK HOUSING COMPLETE	1	
043	266021-4	TAPPING SCREW 5X20	4	
044	213219-4	OIL SEAL 15	1	
045	226779-7	SPIRAL BEVEL GEAR 41	1	
046	211066-7	BALL BEARING 6200LLB	1	
047	213663-5	O RING 55	1	
048	151579-5	GEAR COVER COMPLETE	1	
049	266034-5	TAPPING SCREW CT 4X16	4	
050	961052-5	RETAINING RING S-12	1	
051	211129-9	BALL BEARING 6201DDW	1	
052	253069-5	FLAT WASHER 12	1	
053	285690-2	BEARING RETAINER 68	1	
054	251304-5	+ COUNTERSUNK HEAD SCREW M4X12	2	
055	518626-9	ARMATURE ASS'Y 220V INC. 57,59	1	
056	416730-7	BAFFLE PLATE	1	
057	681644-1	INSULATION WASHER	1	
058	266211-9	TAPPING SCREW 5X40	2	
059	210005-4	BALL BEARING 608DDW	1	
060	594319-2	FIELD ASS'Y 240V	1	

# SPARE PARTS LIST

MODEL NO. HK0500

ITEM	PART NO.	DESCRIPTION	QTY	NOTE
061	819063-3	MAKITA LABEL	1	
062	643605-9	BRUSH HOLDER	2	
063	191904-8	A.C. CARBON BRUSH CB-113	1	
064	416736-5	MOTOR HOUSING	1	
065	851374-0	NAME PLATE HK0500	1	
066	631291-8	CONTROLLER 220-240V	1	
067	423308-9	SPONGE SHEET 13-33	1	
068	416728-4	SWITCH LEVER	1	
069	651969-7	SWITCH	1	
070	645200-1	NOISE SUPPRESSOR	1	
071	151544-4	HANDLE COVER COMPLETE	1	
072	265995-6	TAPPING SCREW 4X18	6	
073	265995-6	TAPPING SCREW 4X18	2	
074	687052-4	STRAIN RELIEF	1	
075	665883-1	POWER SUPPLY CORD 1.0-2-5.0	1	
076	682540-6	CORD GUARD 9.3-90	1	
077	231979-6	RING SPRING 17	1	
A01	A-30483	SCALING CHISEL 38-200	1	
A02	824523-2	PLASTIC CARRYING CASE	1	
E01	652257-5	CLAMP WASHER	2	
E02	654532-5	TERMINAL BLOCK 1P	1	
E05	646047-6	CHOKE COIL	1	
E06	539147-8	CHOKE COIL ASS'Y	1	
E07	654002-4	TERMINAL 1.25-M4	2	
E08	654077-3	INSULATED TERMINAL FK2-M3D-5.5	1	Y04979
E17	646048-4	CHOKE COIL	1	